

# Time Switches

## Models 5T, 15T, 12T and 24T 12 or 24 Hour and 5 or 15 Minute



### Features

- Two Versions Available:
  1. Hour Switch for Setting Run Time and Shutdown of Equipment
  2. Minute Switch for a Short Interruption of SWICHGAGE® Circuits on Test or Start-up
- Spring Wound, No Electric Power Required
- Precision Movement Can Be Set to Zero at Any Time
- Built-in Stop Prevents Overwinding

Murphy Time Switches can automatically start or stop engines or electrical motors after a predetermined time. These time switches can be wired for a open or closed circuit when time expires. They require no electrical current to operate and have an SPDT contact arrangement. These switches feature a precision movement that gives years of reliable service. A built-in stop prevents overwinding.

The **12T** (12 hour) and **24T** (24 hour) time switches are enclosed in a NEMA 4 weatherproof enclosure. A hinged, gasketed cover and 1/2 NPT conduit connection allow for a dust tight installation. The enclosure includes a clasp and eye for padlock to prevent unauthorized operation. Instructions for popular engine applications are secured inside of the lid.

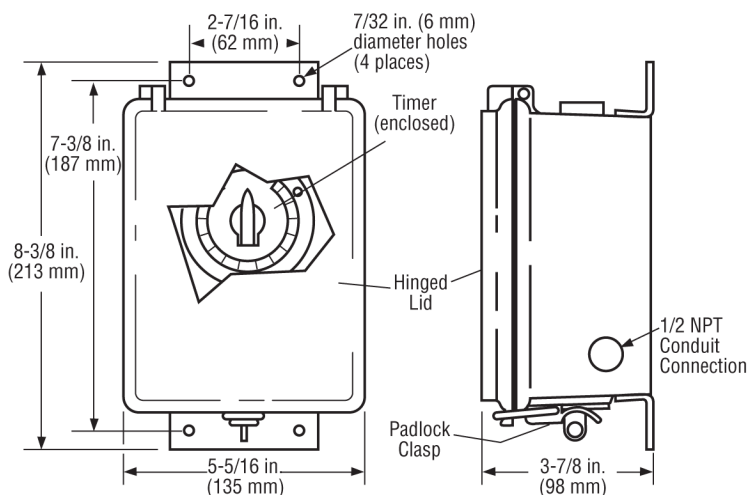
The **5T** (5 minute) and **15T** (15 minute) timers mount directly in control panels for short range timing with manual reset. These switches are perfect for disconnecting shutdown circuits while equipment is being started.

### Applications

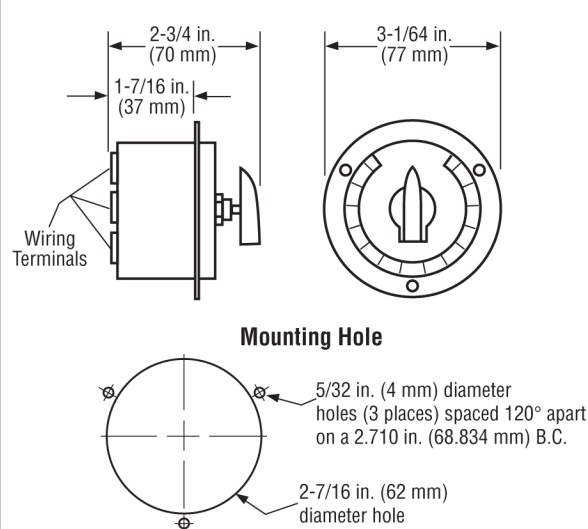
Murphy Time Switches are designed for use in the oil field, irrigation systems or anywhere equipment must operate or be controlled for a predetermined time. Mounted on a post or in a panel away from vibration and shock, these time switches give accurate, long term service.

### Dimensions

#### 12T and 24T 5TWP and 15TWP



#### 5T and 15T



# Typical Wiring Diagrams

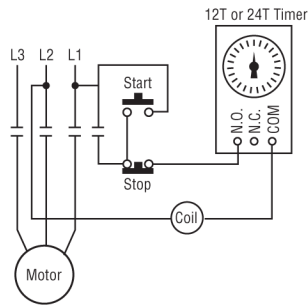


## WARNING

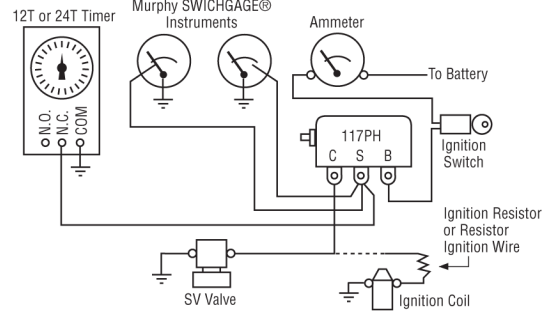
Before beginning installation of this Murphy product:

- ✓ Disconnect all electrical power to the machine.
- ✓ Make sure the machine cannot operate during installation.
- ✓ Follow all safety warnings of the machine manufacturer.
- ✓ Read and follow all installation instructions.

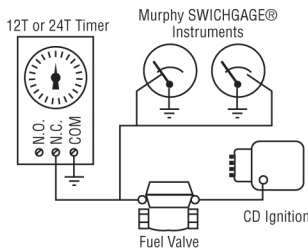
### Electric Motor



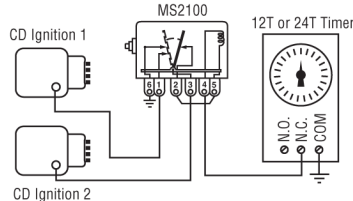
### Diesel Engine



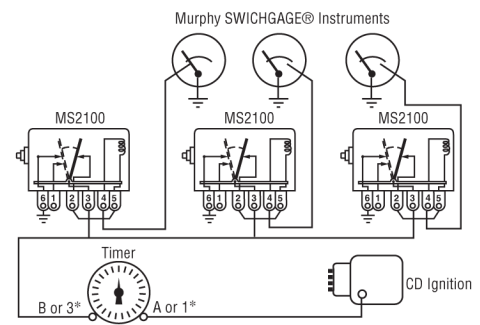
### Fuel Valve and CD Ignition



### Dual CD Ignition



### SWICHGAGE® Circuit Disconnect (5T and 15T)



\*Refer to Electrical diagrams on reverse side.

## Specifications

### Range:

- 12T: 0-12 hours in 15 minute intervals.
- 24T: 0-24 hours in 30 minute intervals.
- 5T: 0-5 minutes.
- 15T: 0-15 minutes.

**Operating Temperature Range:** 0°C to 85°C (32°F to 185°F).

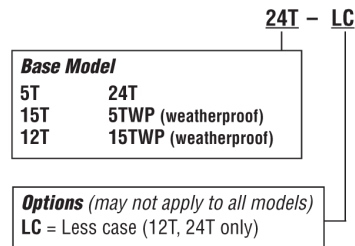
**Contact (all models):** SPDT, rated 5 A @ 480 VAC; 10 A @ 250 VAC; 15 A @ 48 VDC.

**Shipping Weight:** 12T, 24T: 4 lbs. 12 oz. (2.15 kg). 5T and 15T: 6 oz. (11.66 g).

**Shipping Dimensions:** 12T, 24T: 9-1/4 x 8-1/4 x 5-1/2 in. (235 x 210 x 140 mm).  
5T and 15T: 3 x 2-3/4 x 2-3/4 in. (76 x 70 x 70 mm).

## How to Order

To order time switches, specify as follows:



### FW MURPHY

5311 South 122nd East Avenue  
Tulsa, Oklahoma 74146 USA  
Phone: +1 918 317 4100 Fax: +1 918 317 4266  
E-mail: sales@fwmurphy.com  
Web: www.fwmurphy.com

### ECONTROLS, INC

5757 Farinon Drive  
San Antonio, Texas 78249 USA  
Phone: +1 210 495 9772 Fax: +1 210 495 9791  
E-mail: info@econtrols.com  
Web: www.econtrols.com

### FWM INDUSTRIAL PANEL DIVISION

5311 South 122nd East Avenue  
Tulsa, Oklahoma 74146 USA  
Phone: +1 918 317 4100 Fax: +1 918 317 4124  
E-mail: ipdsales@fwmurphy.com  
Web: www.fwmurphy.com

### FRANK W. MURPHY, LTD

Church Road, Laverstock  
Salisbury SP1 1QZ UK  
Phone: +44 1722 410055 Fax: +44 1722 410088  
E-mail: sales@fwmurphy.co.uk  
Web: www.fwmurphy.co.uk

### FW MURPHY INSTRUMENTS (HANGZHOU) CO. LTD

77 23rd Street  
Hangzhou Economic & Technological Development Area  
Hangzhou, Zhejiang 310018 China  
Phone: +86 571 8788 6060 Fax: +86 571 8684 8878  
E-mail: apsales@fwmurphy.com  
Web: www.fwmurphy.com/company\_ch

### FW MURPHY (LATIN AMERICA & CARIBBEAN)

Apdo. Postal 2-06, Admon. "Lomas" Cord. Arakán 606-16  
Lomas 4th Sección 78211, San Luis Potosí, S.L.P., México  
Phone: +1 918 317-2500  
E-mail: lasales@fwmurphy.com  
Web: www.fwmurphy.com

### FW MURPHY INDIA

301, 3rd Floor, Krsna Chambers  
11, Galaxy Garden, North Main Road,  
Koregaon Park, Pune - 411001, Maharashtra, India  
Phone: +91 91581 37633  
E-mail: indiasales@fwmurphy.com  
Web: www.fwmurphy.com

### FW MURPHY (SOUTH KOREA)

Seongnam, South Korea  
Phone: +82 70 7951 4100  
E-mail: skoreasales@fwmurphy.com  
Web: www.fwmurphy.com



USA-ISO 9001:2008 FM 26221  
UK-ISO 9001:2008 FM 29422  
CHINA-ISO 9001:2008 FM 52385  
Registered Facilities



Printed in the USA